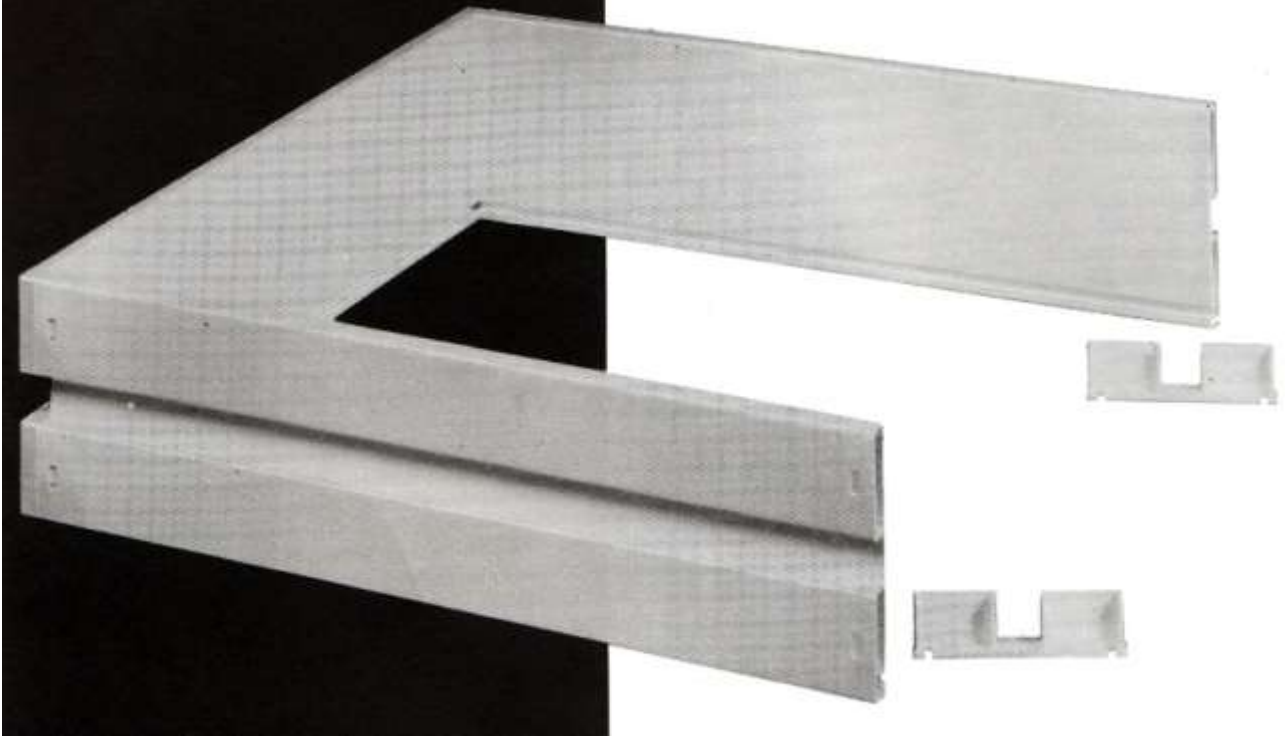




# **SHEERGLIDE Drawer System**

**“The quick & versatile  
drawer system”**

# **SHEERGLIDE<sup>®</sup> DRAWER SYSTEMS**



The versatile Sheerglide Drawer System is an innovative system designed to meet the toughest requirements of manufacturers and consumers. The system is adaptable in many different ways to produce a range of products to meet many applications. With big savings on stock and inventory and the saving in assembly time, the Sheerglide system is designed to make you money.

No more fiddling and making do with standard units, to fit non standard spaces. Sheerglide, made to your specific size requirements is delivered to you ready to fit. Now you can make more money through savings in time and materials and through happier customers.

Sheerglide is the 'quick drawer' and it comes to you as long, as short or as tall as you require. That makes it perfect either for factory or 'flat pack' type assembly.

## **DIMENSION SIZES**

Our standard dimension sizes give you a wide range to choose from:-

350mm x 350mm

350mm x 400mm

350mm x 450mm

350mm x 500mm

400mm x 400mm

400mm x 450mm

400mm x 500mm

450mm x 450mm

450mm x 500mm

450mm x 550mm

Or you can buy in 2.5m lengths to dock and punch to the custom size you want. Perfect for use with standard sides – just cut the back to fit the opening.

# HEIGHT SIZES

Our standard height sizes available are:-

80mm

100mm

120mm

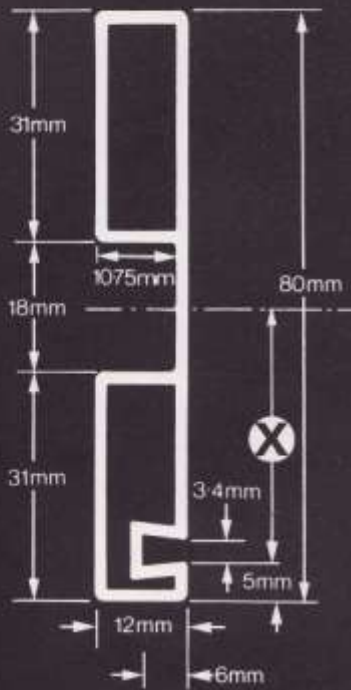
140mm

180mm

Or double the drawer height by joining two similar profiles (120mm, 140mm or 180mm) by halving two corner mouldings and bridging the join with one mould.

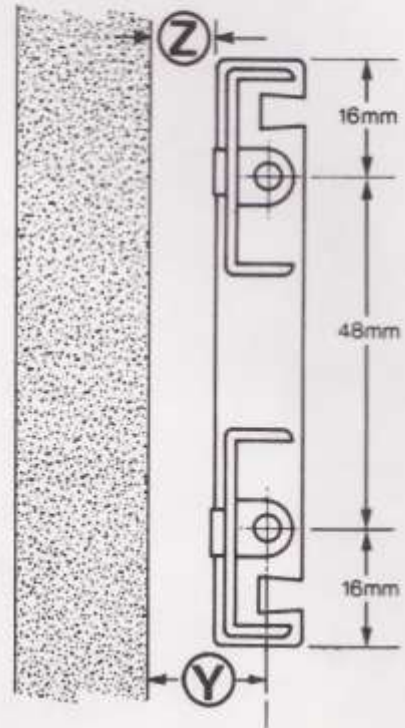
# SHEERGLIDE®

## Profile Section



# 80mm Profile

## Fascia Moulding Detail

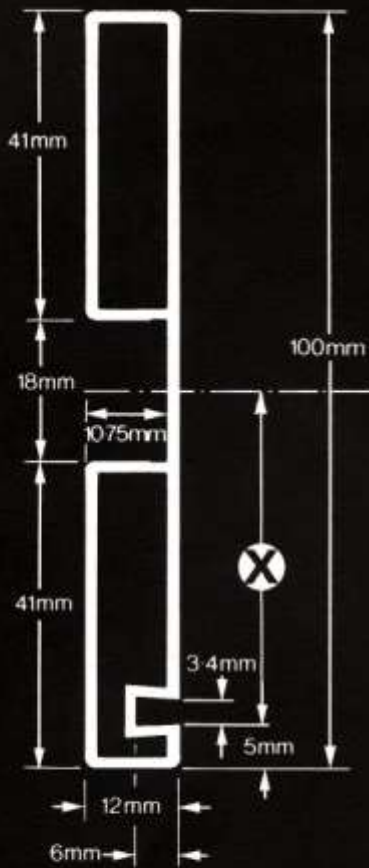


- X = Centre line runner fixing to base groove
- Y = Vertical centres for front moulding drilling
- Z = Tolerance carcass/drawer side.

*Above dimensions subject to runner type used—see table below.*

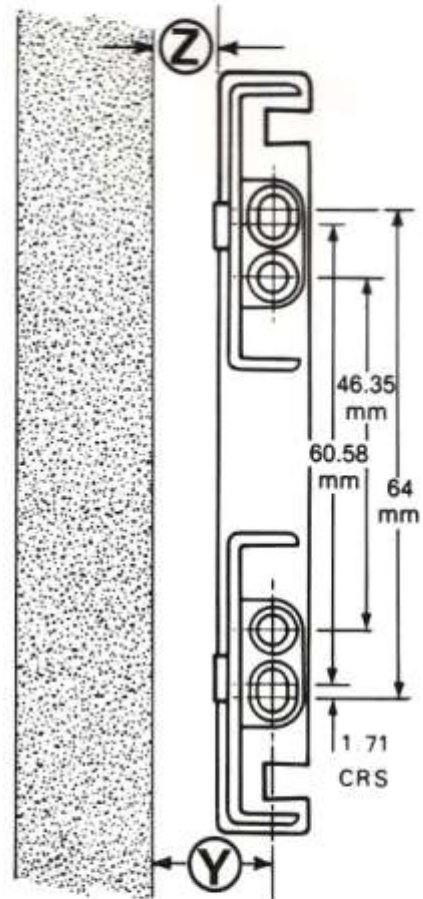
# SHEERGLIDE™

## Profile Section



# 100mm Profile

## Fascia Moulding Detail



- X = Centre line runner fixing to base groove
- Y = Vertical centres for front moulding drilling
- Z = Tolerance carcass/drawer side.

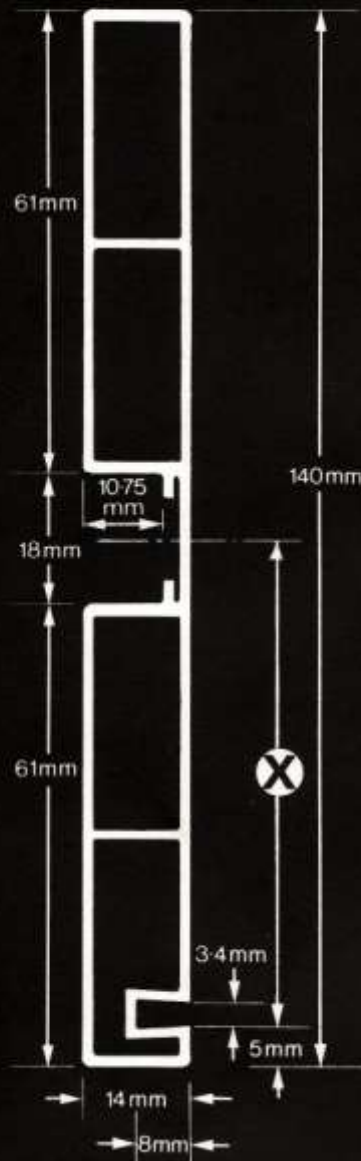
*Above dimensions subject to runner type used – see table below.*





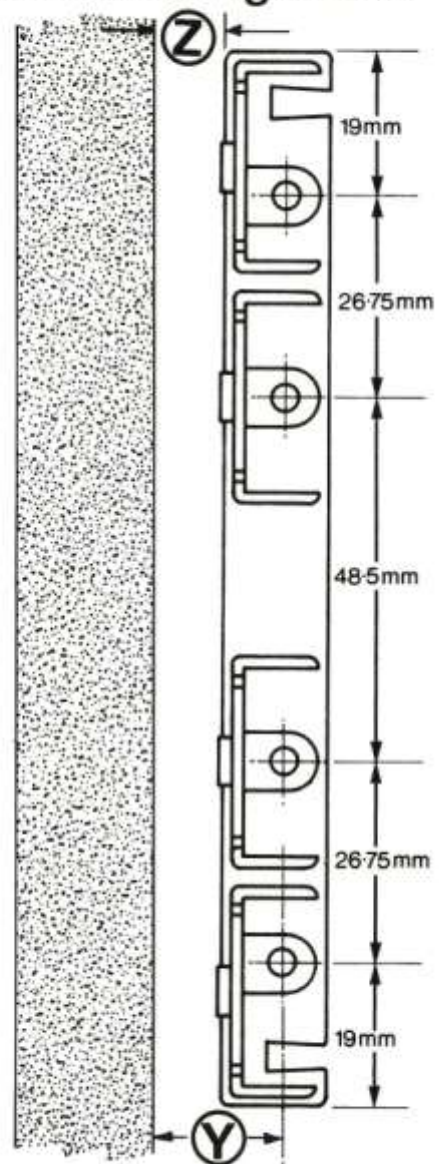
# SHEERGLIDE™

## Profile Section



# 140mm Profile

## Fascia Moulding Detail

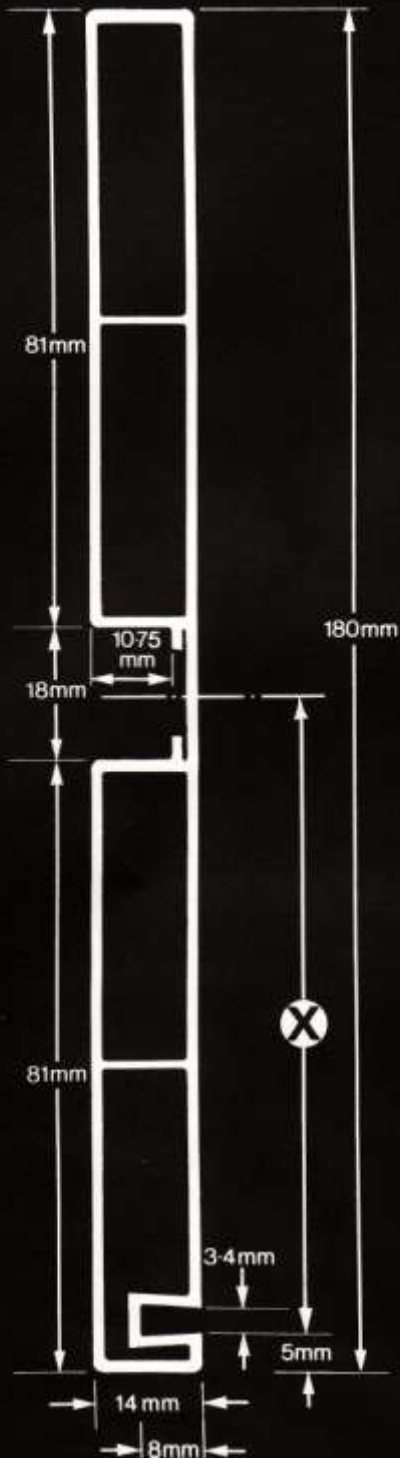


X = Centre line runner fixing to base groove  
Y = Vertical centres for front moulding drilling



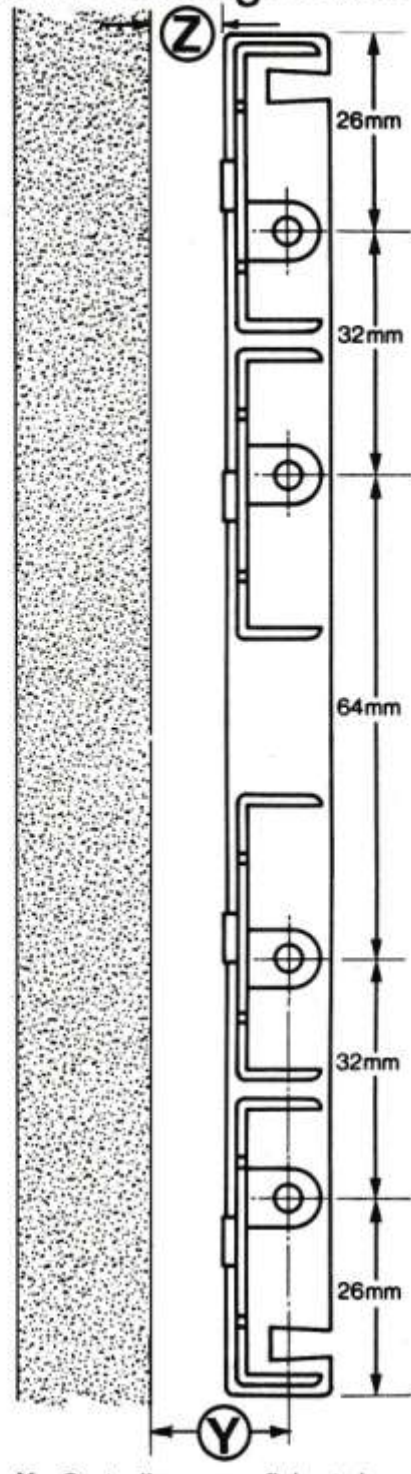
# SHEERGLIDE™

## Profile Section



# 180mm Profile

## Fascia Moulding Detail



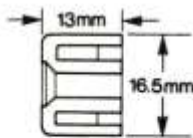
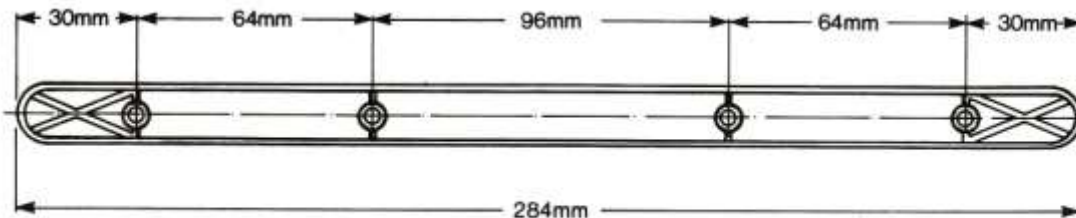
# RANGE OF RUNNERS

Sheerglide offers a range of moulded runners from the simple E6/18 to the heavy duty M6/18S and the M6/18D, where drawers carrying loads such as kitchen cutlery are specified, or wire baskets..

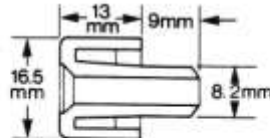
## **SHEERGLIDE™ DRAWER RUNNERS** Injection Moulded

*The front edge of all runners must be mounted a minimum of 4mm from the front of the carcass.*

### **M6/18S-D Plain Runner without Stops**



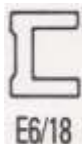
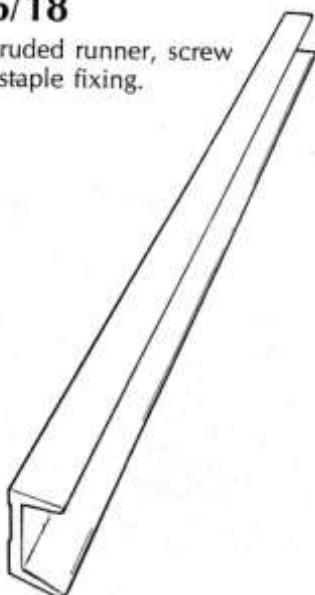
**M6/18S**  
Countersunk screw fixing



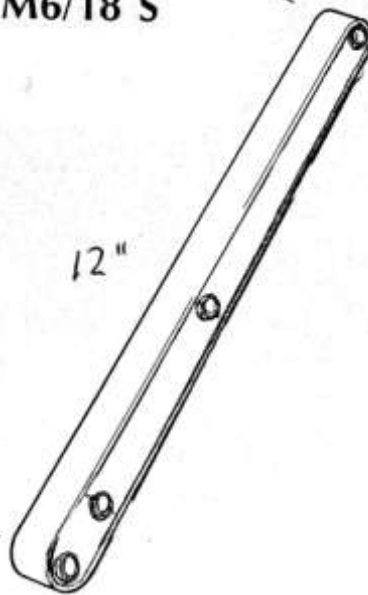
**M6/18D**  
Dowel fixing

### **E6/18**

Extruded runner, screw or staple fixing.



### **M6/18 S**

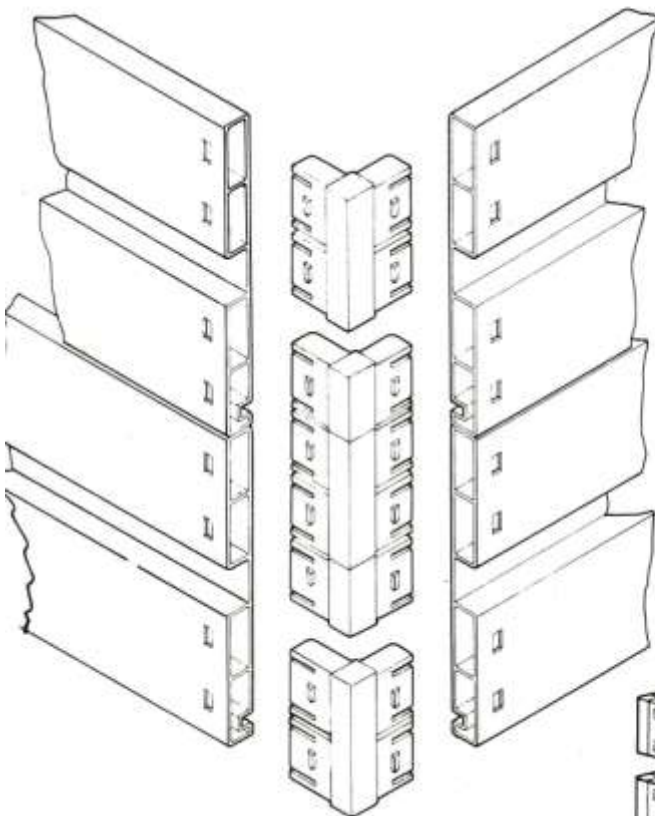


# FILING CABINETS

Create a filing cabinet suspension unit with standard 140mm and 180mm profiles and front and back mouldings to carry the file frame. The standard 400mm width and 50mm long sides easily accommodate standard files laterally or longitudinally.

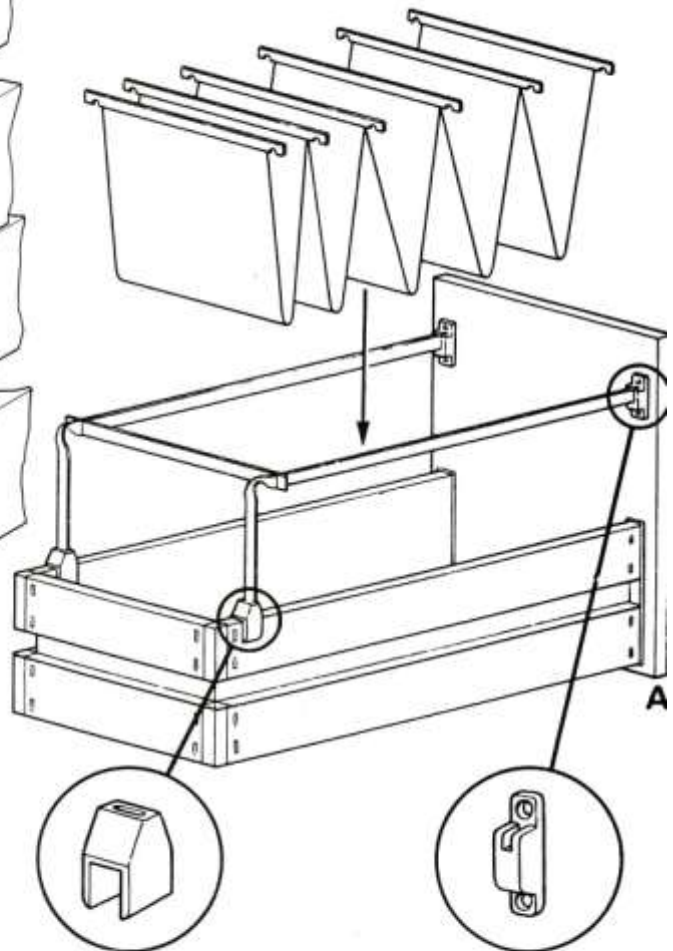
## **SHEERGLIDE<sup>®</sup> DRAWER SYSTEM** Special Features

### Stacking feature



With the Sheerglide system it is possible to increase the drawer height by joining two similar profiles (120mm, 140mm and 180mm only) using special corner and fascia mouldings.

### Filing cabinet suspension units



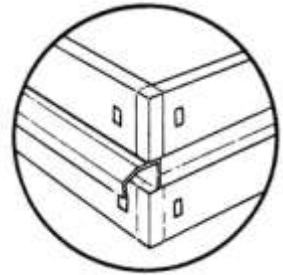
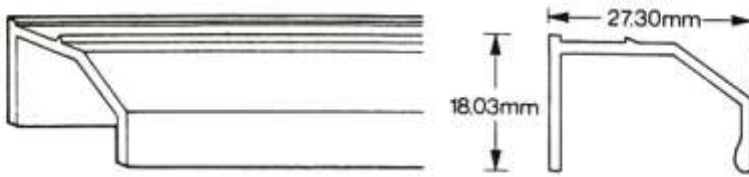
The filing drawer assembly utilises the 140mm (FC 14) and 180mm (FC 18) profiles and will accommodate standard files laterally (A) or longitudinally (B).

# Economical

With four sided drawers, a simple finger pull can be used for opening to save on purchasing a fascia and draw handles.

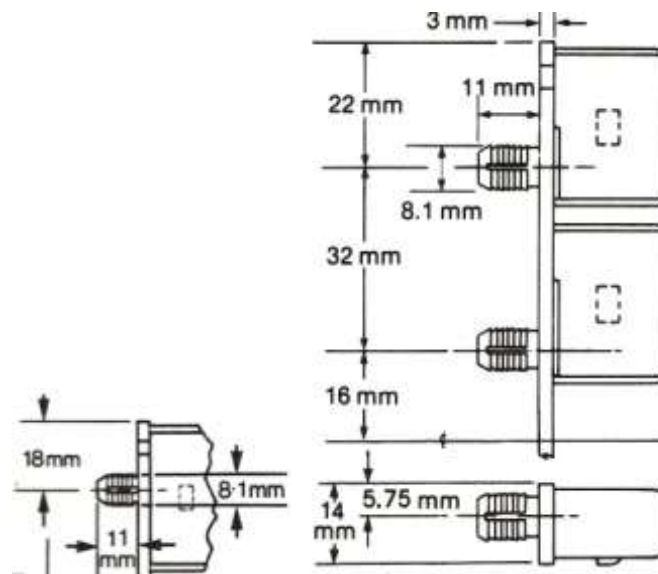
## Finger pull for four sided Sheerglide drawers

**FP1**



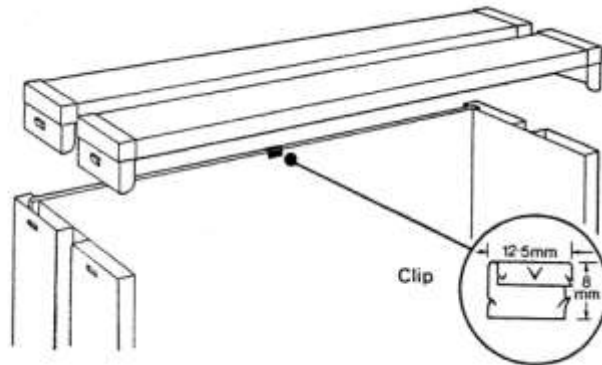
# No Glue Dowels

If you use a mult-borer, suits 32mm centres and dowelling for fixing facias, Sheerglide has a labour and cost saving advantage.



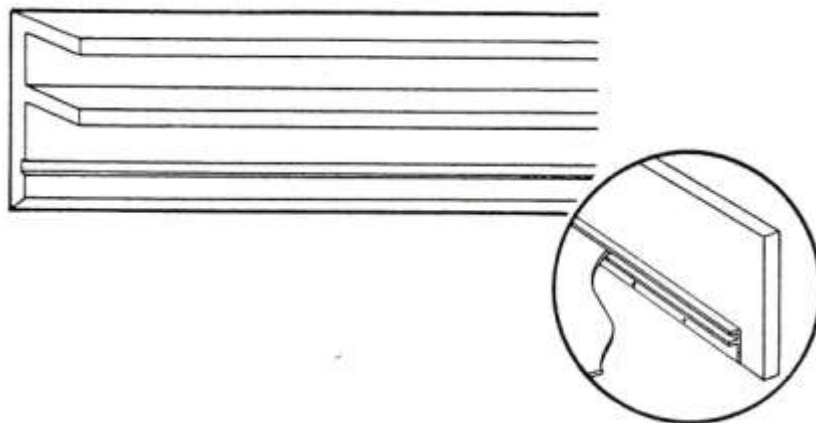
## DRAWER BASE RETAINING CLIP

Sheerglide drawer base retaining clips recommended for use with drawers exceeding 700mm width.



## DRAWER BASE SUPPORT

A standard drawer base support, as illustrated obviates the need for fascia groovings.



Manufactured by:

Poly Marketing Pty Ltd T/A

ENVORINEX

Ph: 03 6382 1844 Fax 03 6382 3011 Email [info@envorinex.com](mailto:info@envorinex.com)